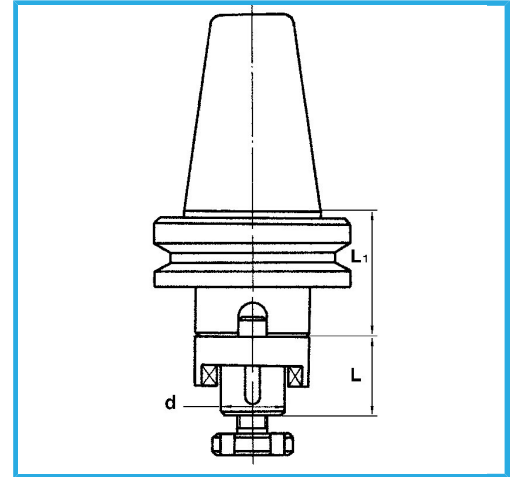


MAS-403 BT, BALANCED CHUCK BODY, FOR CYLINDRICAL END MILLS ACCORDING TO DIN 481, FOR MILLING CUTTERS WITH LONGITUDINAL GROOVE...



BT	40
d - h6	16 mm
L	27 mm
L1	35 mm
Gross weight	1,31 kg
EAN Code	8012667008536



Box



Tempered



Grounded



18Ni  
CrMo5