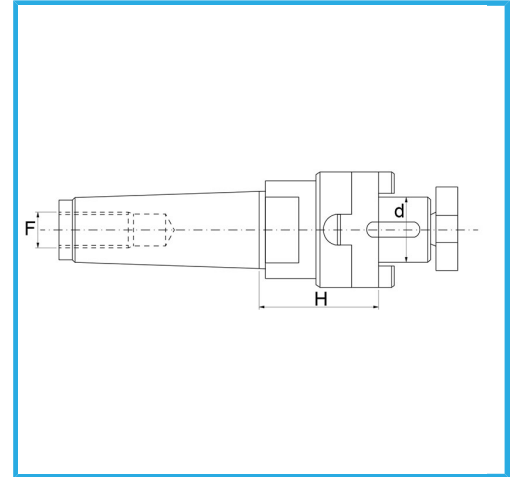


DIN 228/A FOR CYLINDRICAL END MILLS ACCORDING TO DIN 481, FOR MILLING CUTTERS WITH LONGITUDINAL GROOVE DIN 1880 AND FOR INSERT...



d - h6	22 mm
Spindle taper	4
F	M 16
H	55 mm
Gross weight	1,30 kg
EAN Code	8012667179649



Box



Grounded



18Ni
CrMo5

-