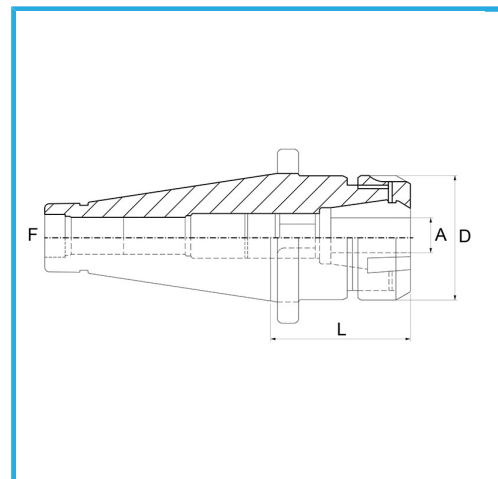


DIN 2080, FOR MOUNTING TOOLS WITH CYLINDRICAL SHANK ON DIN 6499 (ER) COLLETS. SUPPLIED WITH LOCKING FERRULE.



<b>Collets</b>	ER 32
<b>A</b>	3/20 mm
<b>D</b>	50 mm
<b>L</b>	65 mm
<b>F</b>	M 16
<b>Balancing rpm</b>	2000
<b>Gross weight</b>	1,17 kg
<b>EAN Code</b>	8012667140144



Box



Grounded



-