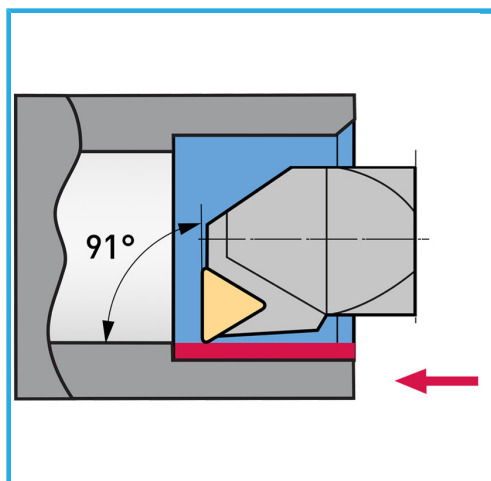


INSERT INCLUDED, USEFUL FOR HAVING A SET THAT ALLOWS YOU TO PERFORM MOST TURNING OPERATIONS WITH SMALL LATHES.



**Ext. shank / Insert**

**Int. shank / Insert**

**Length**

**Screw**

**Gross weight**

**EAN Code**

10 mm / TCMT110204...

8 mm / TCMT090204...

Ext: 63 mm / Int: 100 mm

KV250

0,44 kg

8012667183417



Box



Burnished



External