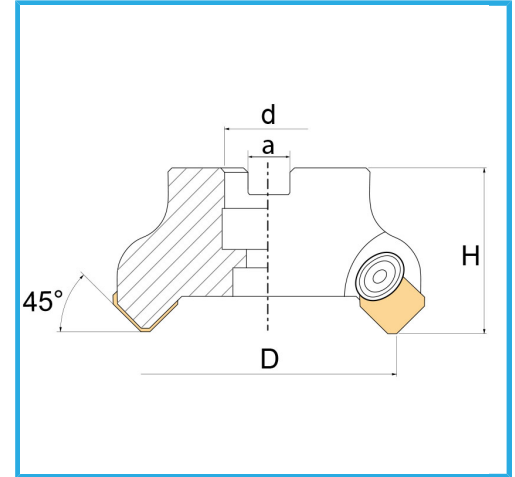
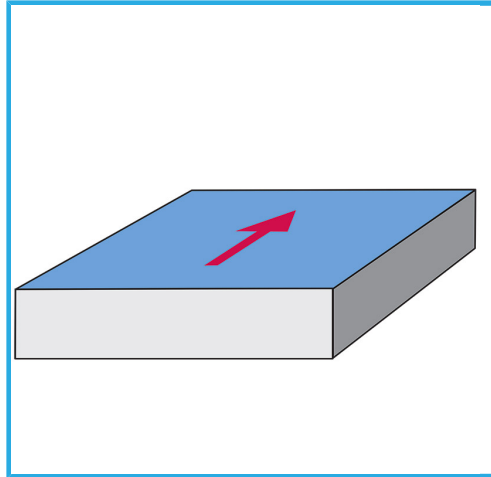


WITH SLEEVE CONNECTION, RECOMMENDED FOR USE ON MACHINES WITH REDUCED POWER.



D	63 mm
H	48 mm
a	12,4 mm
d	22 mm
Z	5
Screw	VT00440
Insert base	WSSP
Insert (not included)	SEKN1203...
Gross weight	0,69 kg
EAN Code	8012667253196



Box



Satin



Nickel  
plated



External