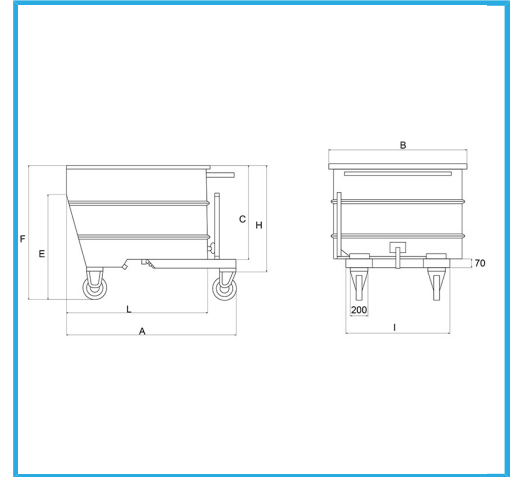


ADDITIONAL COLORS AND ACCESSORIES AVAILABLE UPON REQUEST.



<b>Liters</b>	1350
<b>A</b>	1510 mm
<b>B</b>	1320 mm
<b>C</b>	870 mm
<b>E</b>	925 mm
<b>F</b>	1220 mm
<b>H</b>	975 mm
<b>I</b>	800 mm
<b>L</b>	1255 mm
<b>Capacity</b>	2000 kg
<b>Wheels</b>	Ø 200 mm x 245h mm
<b>Net weight</b>	205 kg
<b>Gross weight</b>	205,00 kg
<b>EAN Code</b>	8012667225711

