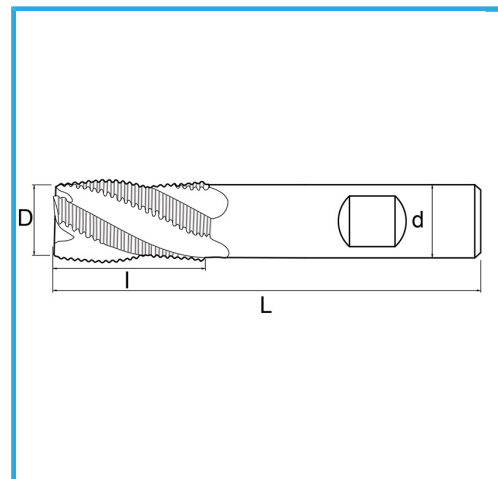


REGULAR LENGTH WELDON SHANK CENTER CUTTING.



D	10 mm
d	10 mm
l	22 mm
Z	4
L	72 mm
Gross weight	0,05 kg
EAN Code	8012667217310



Box



External



844/B



-



-