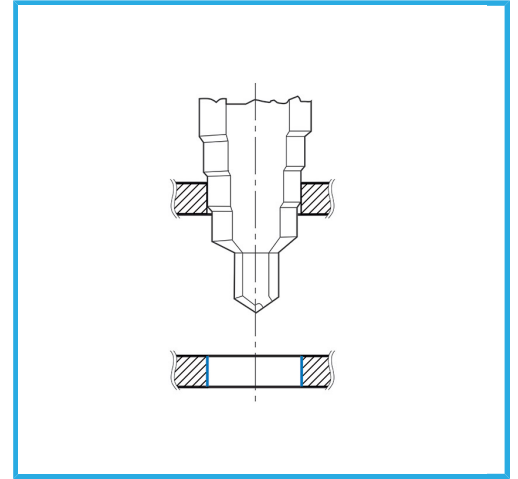
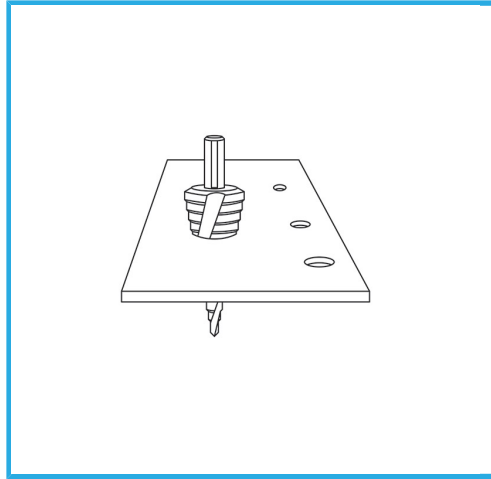


FOR CREATING AND ENLARGING HOLES IN SHEET METAL.



Stem

6 - 8 - 10 mm

∅

4 - 12 - 6 - 20 - 6 - 30 mm

Gross weight

0,36 kg

EAN Code

8012667253622



Hangable



HSS

-



TiN

-



3 Pcs