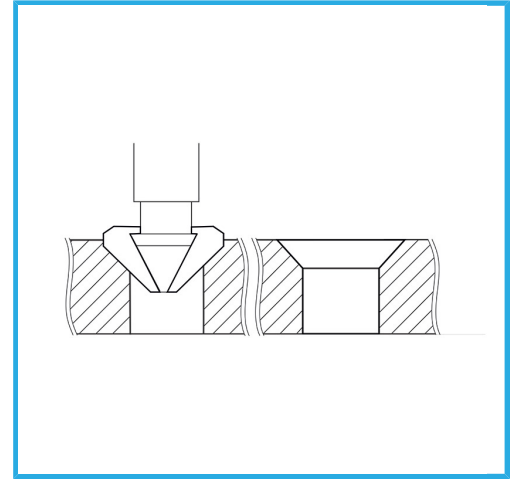
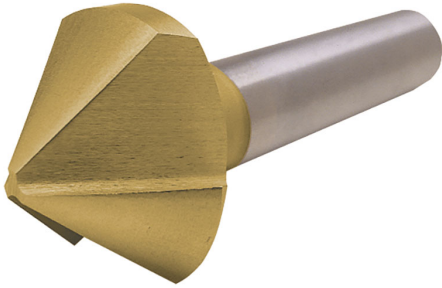


WITH GROUND EDGES AND GROOVES MACHINED FROM SOLID, TO PERFORM CONICAL COUNTERSINKS WITHOUT VIBRATIONS.



Ø max	6,3 mm
Screws M	3
Shank	Ø 5 mm
Gross weight	0,01 kg
EAN Code	8012667142209



Box



HSS

-



TiN

-



90°



External



DIN

335C