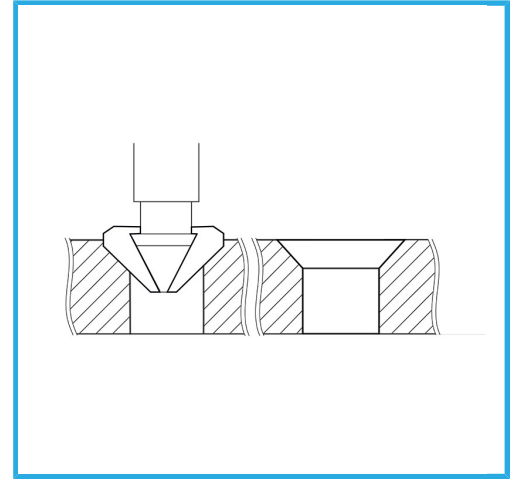
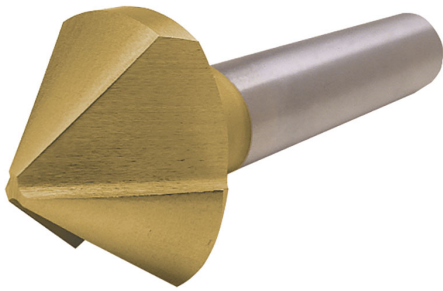


WITH GROUND EDGES AND GROOVES MACHINED FROM SOLID, TO PERFORM CONICAL COUNTERSINKS WITHOUT VIBRATIONS.



Ø max	16,5 mm
Screws M	8
Shank	Ø 10 mm
Gross weight	0,04 kg
EAN Code	8012667142223



Box



HSS

-



TiN

-



90°



External