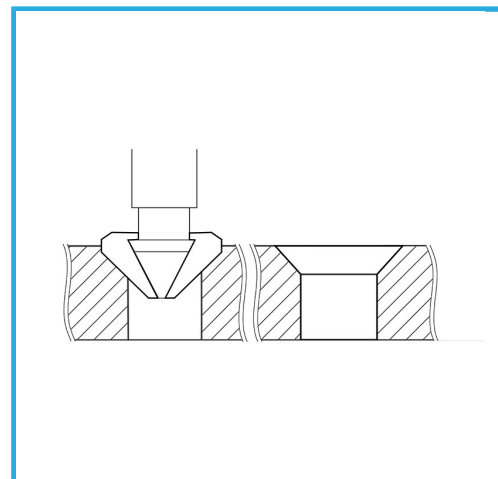
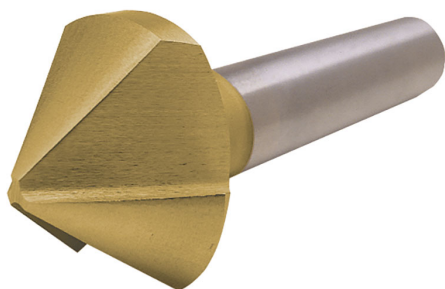


WITH GROUND EDGES AND GROOVES MACHINED FROM SOLID, TO PERFORM CONICAL COUNTERSINKS WITHOUT VIBRATIONS.



| | |
|--------------|---------------|
| Ø max | 20,5 mm |
| Screws M | 10 |
| Shank | Ø 10 mm |
| Gross weight | 0,06 kg |
| EAN Code | 8012667142230 |



Box



HSS -



TiN -



90°



External