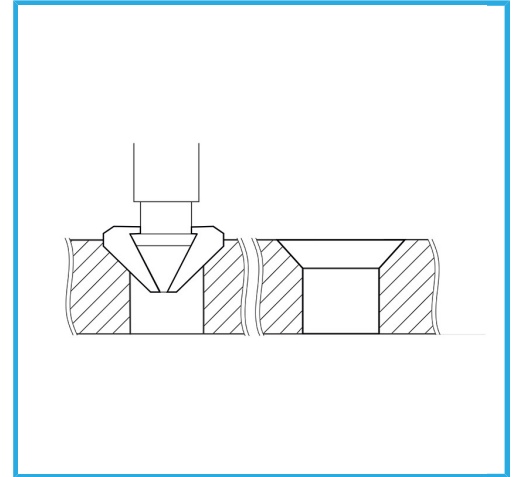
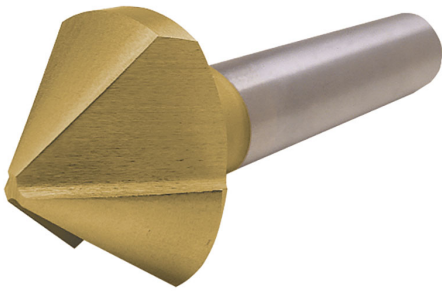


WITH GROUND EDGES AND GROOVES MACHINED FROM SOLID, TO PERFORM CONICAL COUNTERSINKS WITHOUT VIBRATIONS.



Ø max	28 mm
Screws M	14
Shank	Ø 12 mm
Gross weight	0,10 kg
EAN Code	8012667142254



Box



HSS

-



TiN

-



90°



External