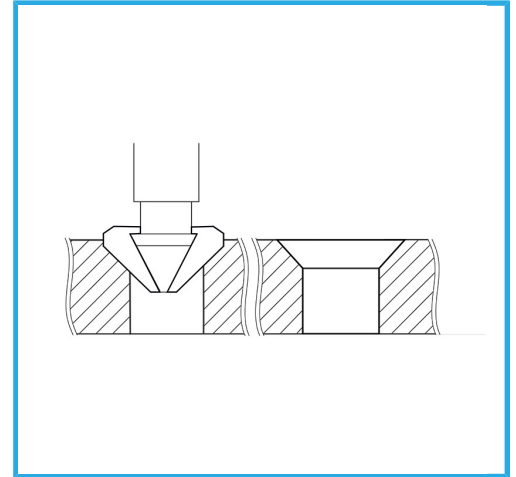
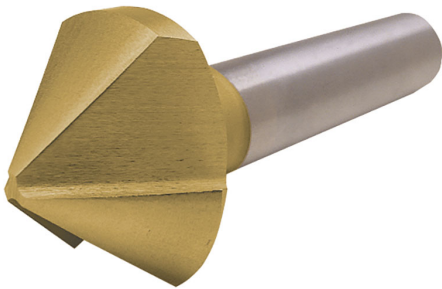


WITH GROUND EDGES AND GROOVES MACHINED FROM SOLID, TO PERFORM CONICAL COUNTERSINKS WITHOUT VIBRATIONS.



<b>Ø max</b>	40 mm
<b>Screws M</b>	-
<b>Shank</b>	Ø 15 mm
<b>Gross weight</b>	0,21 kg
<b>EAN Code</b>	8012667165536



Box



HSS

-



TiN

-



90°



External