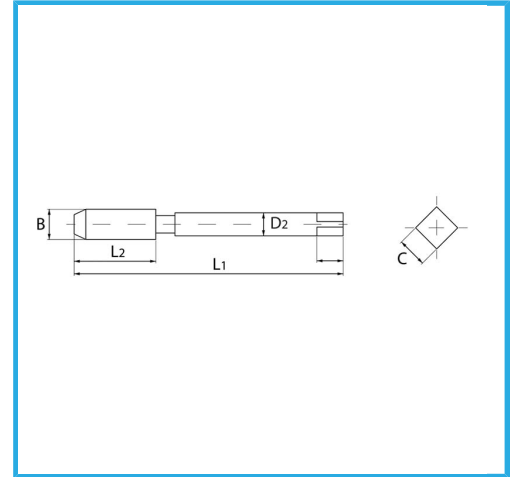
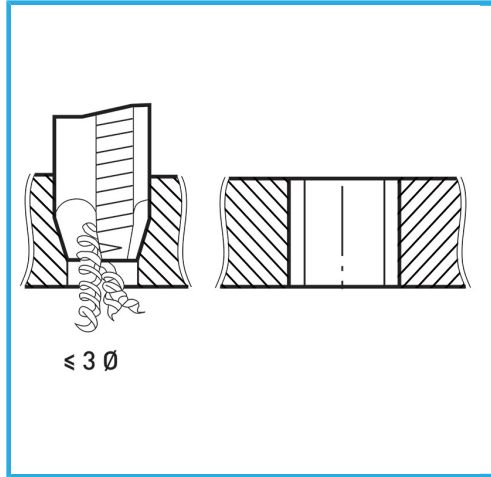


ART. M001/05V
MACHINE TAPS STRAIGHT FLUTE, SPIRAL POINTED FOR THROUGH HOLES



ISOMETRIC THREAD COARSE PITCH - REINFORCED SHANK, THE VAPORIZATION TREATMENT INCREASES THE SURFACE HARDNESS AND WEAR RESISTANCE...



B	M5 x 0,80 mm
L2	16 mm
L1	70 mm
D2	6 mm
C	4.9mm
Gross weight	0,01 kg
EAN Code	8012667257361



Box



HSS-G



Vaporized



HV=750



External



371/B