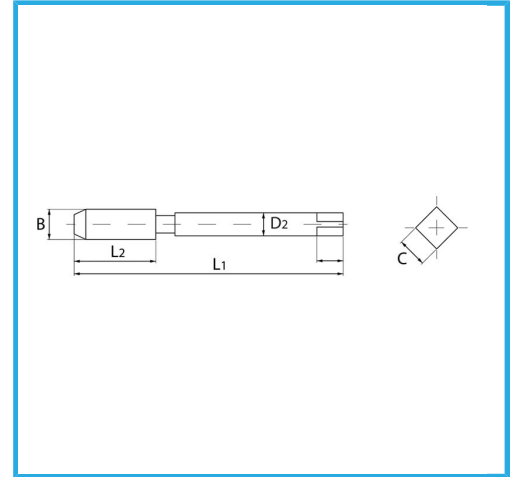
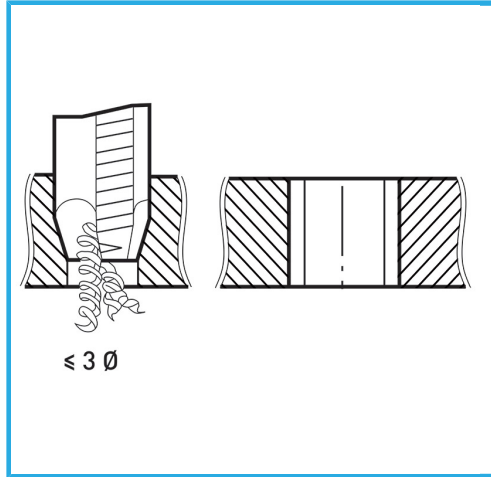


ART. M001/06V

MACHINE TAPS STRAIGHT FLUTE, SPIRAL POINTED FOR THROUGH HOLES



ISOMETRIC THREAD COARSE PITCH - REINFORCED SHANK, THE VAPORIZATION TREATMENT INCREASES THE SURFACE HARDNESS AND WEAR RESISTANCE...



B	M6 x 1 mm
L2	19 mm
L1	80 mm
D2	6 mm
C	4.9 mm
Gross weight	0,02 kg
EAN Code	8012667257378



Box



HSS-G

-



Vaporized



HV=750



External



371/B