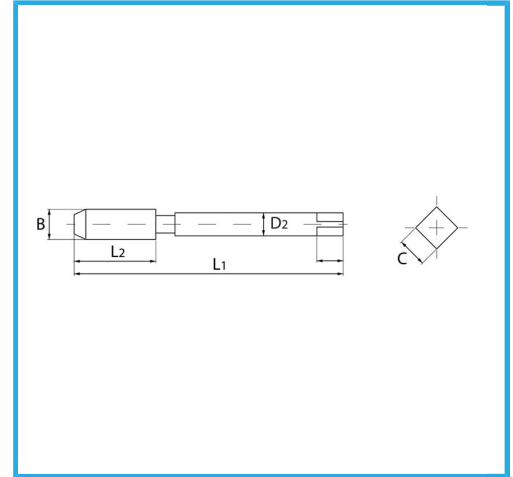
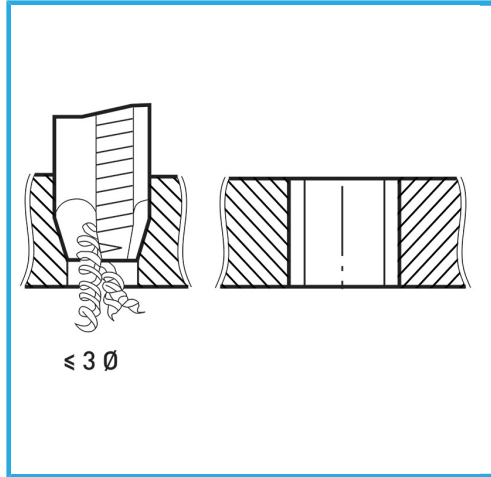


**ART. M001/08V**  
MACHINE TAPS STRAIGHT FLUTE, SPIRAL POINTED FOR  
THROUGH HOLES



ISOMETRIC THREAD COARSE PITCH - REINFORCED SHANK, THE  
VAPORIZATION TREATMENT INCREASES THE SURFACE HARDNESS  
AND WEAR RESISTANCE...



B	M8 x 1,25 mm
L2	22 mm
L1	90 mm
D2	8 mm
C	6.2 mm
Gross weight	0,03 kg
EAN Code	8012667261368



Box



HSS-G

-



Vaporized



HV=750



External



371/B