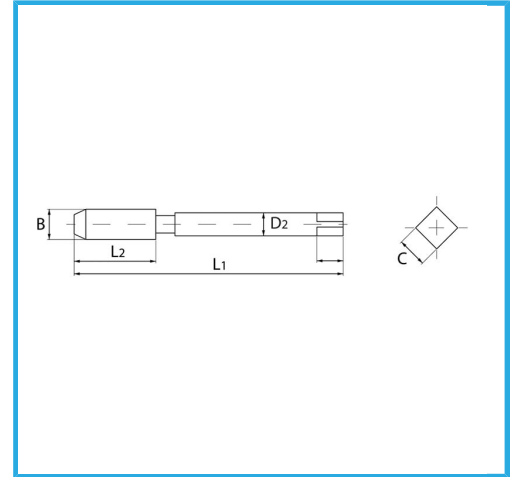
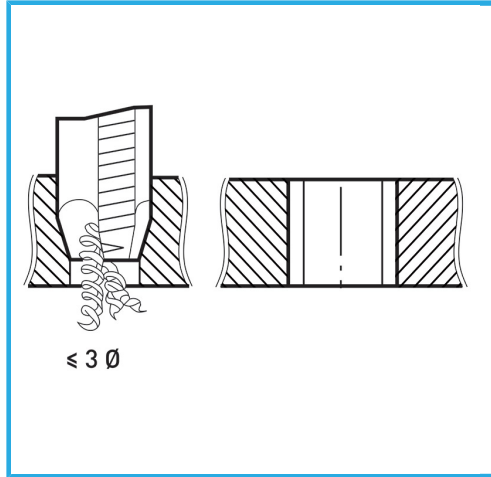


ISOMETRIC THREAD COARSE PITCH - REINFORCED SHANK.



B	M3 x 0,50 mm
L2	13 mm
L1	56 mm
D2	3.5 mm
C	2.7 mm
Gross weight	0,05 kg
EAN Code	8012667181444



Box



HSS-G



HV=750



External



371/B