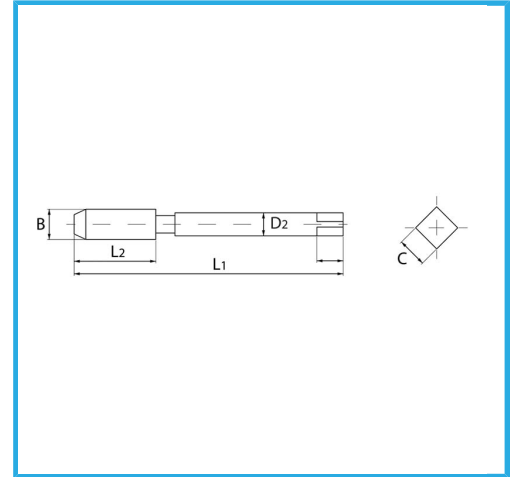
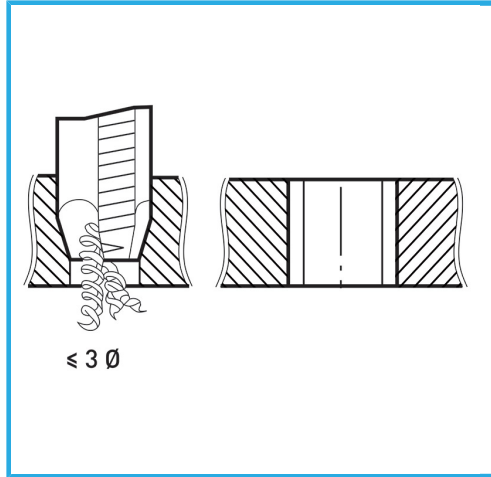


**ART. M001/5**  
MACHINE TAPS STRAIGHT FLUTE, SPIRAL POINTED FOR  
THROUGH HOLES



ISOMETRIC THREAD COARSE PITCH - REINFORCED SHANK.



B	M5 x 0,80 mm
L2	16 mm
L1	70 mm
D2	6 mm
C	4.9 mm
Gross weight	0,02 kg
EAN Code	8012667141578



Box



HSS-G



HV=750



External



371/B