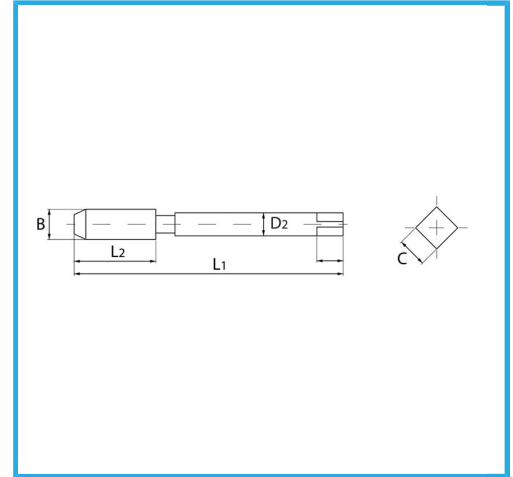
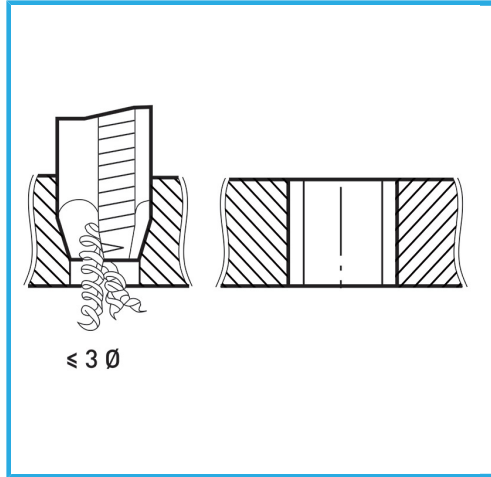


ART. M001/6
MACHINE TAPS STRAIGHT FLUTE, SPIRAL POINTED FOR
THROUGH HOLES



ISOMETRIC THREAD COARSE PITCH - REINFORCED SHANK.



B	M6 x 1 mm
L2	22 mm
L1	85 mm
D2	6 mm
C	4.9 mm
Gross weight	0,02 kg
EAN Code	8012667141585



Box



-



HV=750



External



371/B