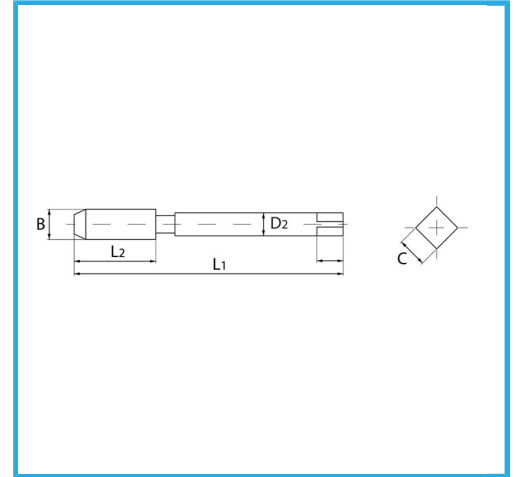
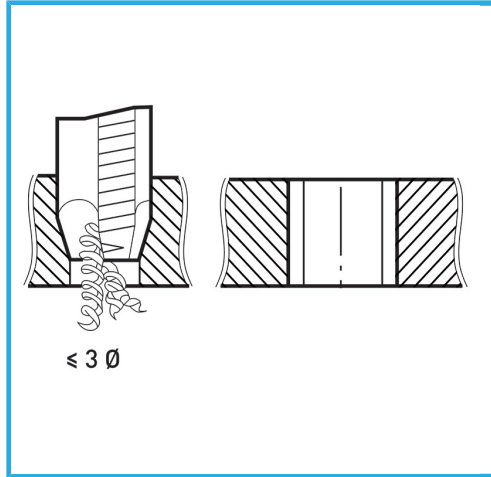


ART. M001/8
MACHINE TAPS STRAIGHT FLUTE, SPIRAL POINTED FOR
THROUGH HOLES



ISOMETRIC THREAD COARSE PITCH - REINFORCED SHANK.



| | |
|--------------|---------------|
| B | M8 x 1,25 mm |
| L2 | 22 mm |
| L1 | 90 mm |
| D2 | 8 mm |
| C | 6.2 mm |
| Gross weight | 0,03 kg |
| EAN Code | 8012667141592 |



Box



HSS-G



HV=750



External



371/B