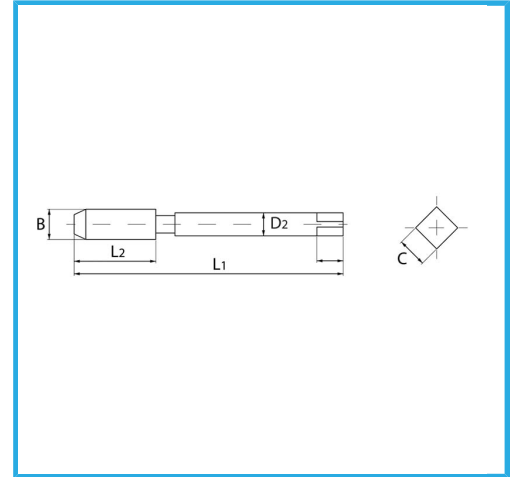
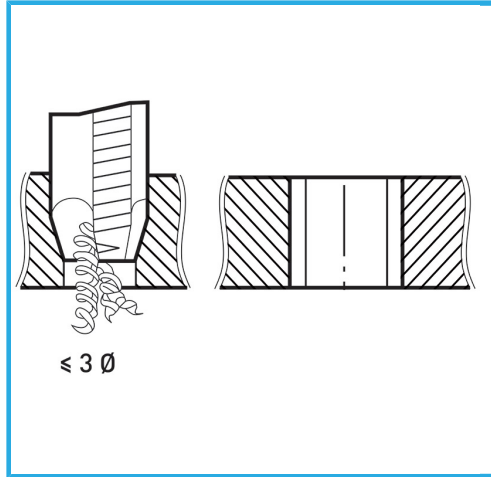


ART. M002/22
MACHINE TAPS STRAIGHT FLUTE SPIRAL POINTED FOR
THROUGH HOLES



ISOMETRIC THREAD COARSE PITCH.



B	M22 x 2,5 mm
L2	34 mm
L1	140 mm
D2	18 mm
C	14.5 mm
Gross weight	0,05 kg
EAN Code	8012667183448



Box



HSS-G



HV=750



External



376/B