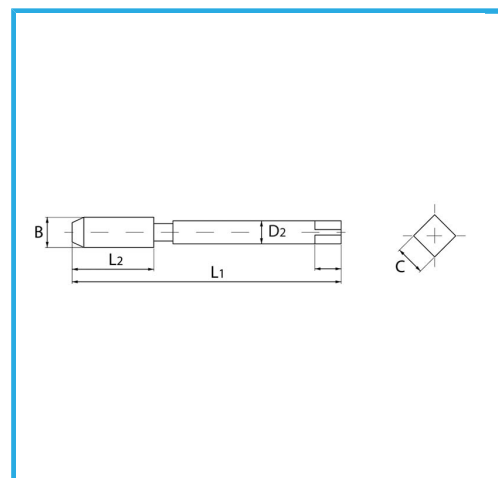
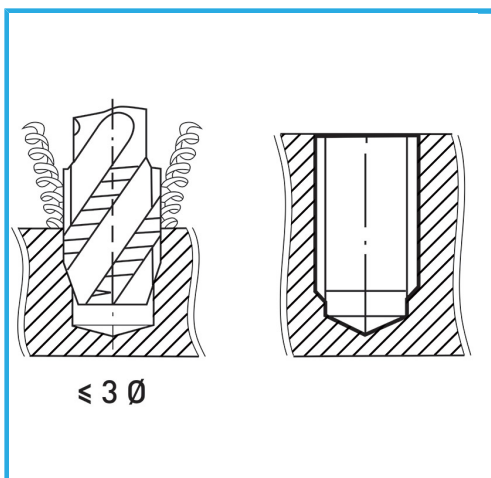


ISOMETRIC THREAD COARSE PITCH - REINFORCED SHANK, THE VAPORIZATION TREATMENT INCREASES THE SURFACE HARDNESS AND WEAR RESISTANCE...



| | |
|---------------------|---------------|
| B | M3 x 0,50 mm |
| L2 | 11 mm |
| L1 | 56 mm |
| D2 | 3.5 mm |
| C | 2.7 mm |
| Gross weight | 0,01 kg |
| EAN Code | 8012667257224 |



Box



HSS-G

-



Vaporized



HV=750



External



371/C