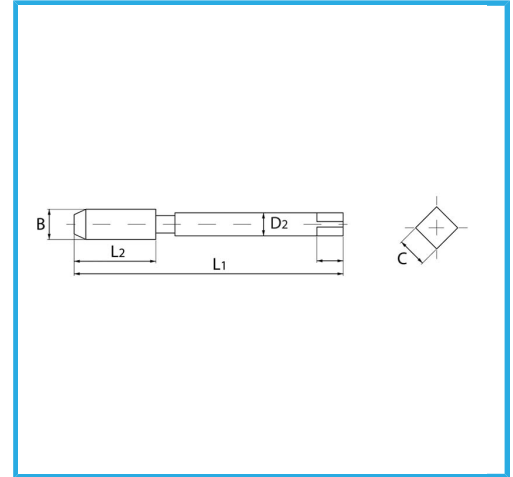
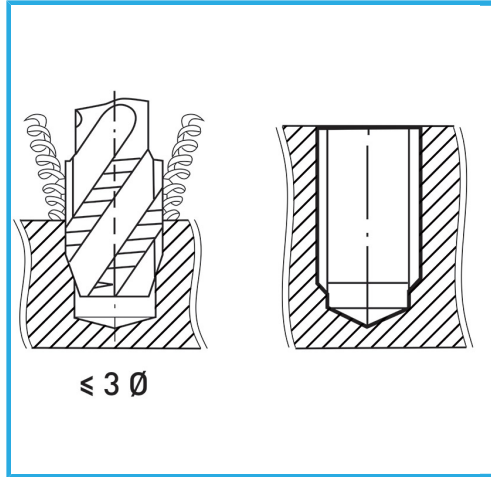


ISOMETRIC THREAD COARSE PITCH - REINFORCED SHANK, THE VAPORIZATION TREATMENT INCREASES THE SURFACE HARDNESS AND WEAR RESISTANCE...



<b>B</b>	M4 x 0,70 mm
<b>L2</b>	13 mm
<b>L1</b>	63 mm
<b>D2</b>	4.5 mm
<b>C</b>	3.4 mm
<b>Gross weight</b>	0,01 kg
<b>EAN Code</b>	8012667257248



Box



HSS-G

-



Vaporized



HV=750



External



371/C