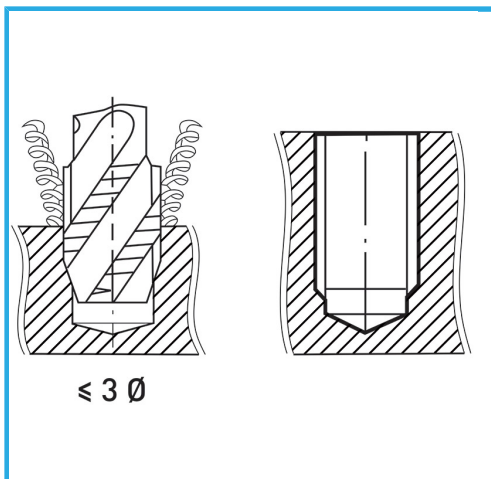


ISOMETRIC THREAD COARSE PITCH - REINFORCED SHANK, THE VAPORIZATION TREATMENT INCREASES THE SURFACE HARDNESS AND WEAR RESISTANCE...



<b>B</b>	M8 x 1,25 mm
<b>L2</b>	22 mm
<b>L1</b>	90 mm
<b>D2</b>	8 mm
<b>C</b>	6.2 mm
<b>Gross weight</b>	0,03 kg
<b>EAN Code</b>	8012667257262



Box



HSS-G



Vaporized



HV=750



External



371/C