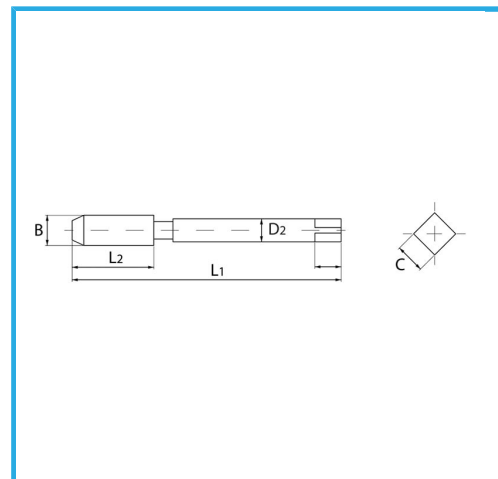
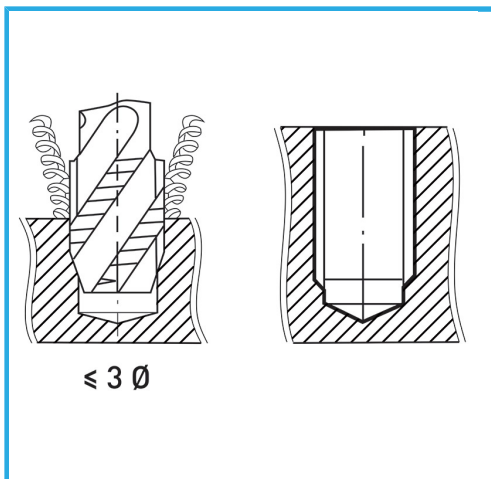


ISOMETRIC THREAD COARSE PITCH - REINFORCED SHANK, THE VAPORIZATION TREATMENT INCREASES THE SURFACE HARDNESS AND WEAR RESISTANCE...



B	M14 x 2 mm
L2	30 mm
L1	110 mm
D2	11 mm
C	9 mm
Gross weight	0,08 kg
EAN Code	8012667257293



Box



HSS-G

-



Vaporized



HV=750



External



376/C