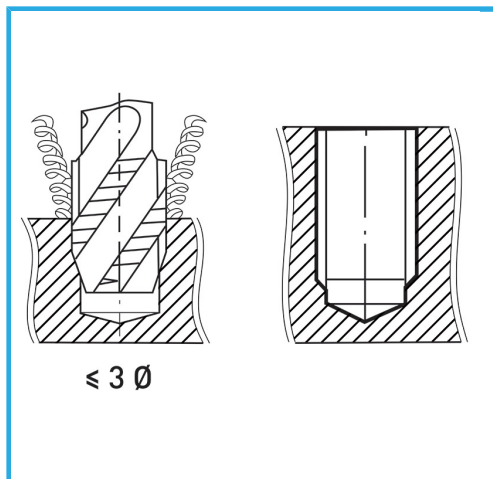


ISOMETRIC THREAD COARSE PITCH - REINFORCED SHANK, THE VAPORIZATION TREATMENT INCREASES THE SURFACE HARDNESS AND WEAR RESISTANCE...



| | |
|---------------------|---------------|
| B | M18 x 2,5 mm |
| L2 | 34 mm |
| L1 | 125 mm |
| D2 | 14 mm |
| C | 11 mm |
| Gross weight | 0,16 kg |
| EAN Code | 8012667257323 |



Box



HSS-G

-



Vaporized



HV=750



External



376/C