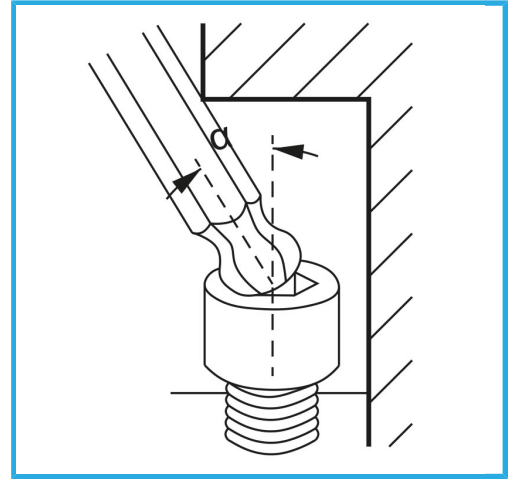


ART. 0855/T15

TWO WAY TORX AND TAMPERED KEY WITH ANATOMIC PLASTIC HANDLE



Size	T15
Length	100 mm
Gross weight	0,04 kg
EAN Code	8012667186999



Hangable



Chromed



-



-