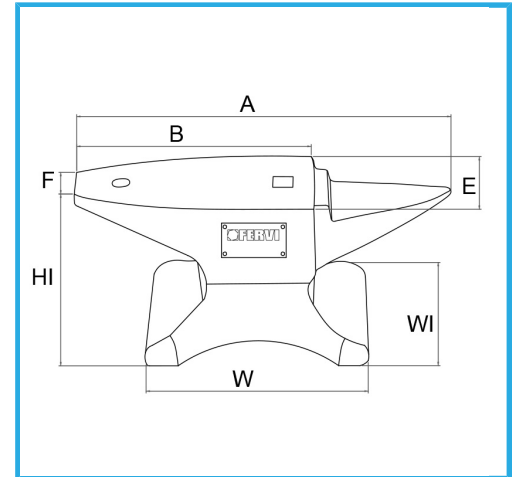


STURDY CONSTRUCTION, ROUND HOLE AND SQUARE HOLE FOR PUNCHING AND BENDING.



A	230 mm
B	160 mm
E	57 mm
F	10,5 mm
W	112 mm
WI	85 mm
HI	95 mm
Tolerance	±5%
Net weight	5 kg
Gross weight	5,17 kg
EAN Code	8012667253264



Box



Cast Iron